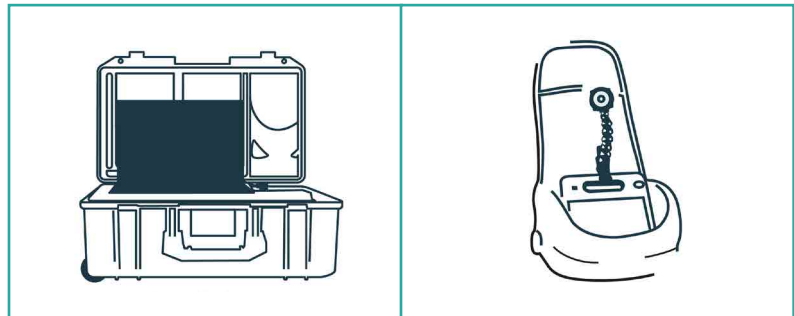


# The Trackit F and Trackit V EEG System Comparison Guide

Both of these systems were designed for different purposes and have certain advantages for home use. If you are interested in a portable EEG system for use in a hospital or neurology clinic, we recommend the Trackit M.

The table below provides specific information about Trackit F and Trackit V. If you have questions about which system is best for your needs, please contact us for a consultation.



Use Cases	Trackit F	Trackit V
Can it be used in the home?	In-home with EEG Technologist setup	Take-home use by patient with technologist set up in office/clinic
Equipment Case	Wheeled sturdy plastic case	Wheeled lighter weight backpack
Recording Operating Device	Laptop	Touchscreen tablet
Cleaning	Case and mold can be wiped down, plastic/polyurethane	Case can be wiped down with cloth
Computer Technical Specifications	More powerful than the Trackit V CPU: Intel I7 10th-Gen Processor RAM: 16 Gb Memory Storage: 1Tb Storage	Less powerful than the Trackit F CPU: Intel I7 5th-Gen Processor RAM: 8 Gb Memory Storage: 500Gb Storage
Additional material storage	Recess in mold for additional component storage, lid pockets for amplifier and documents	Zippered pockets on exterior of backpack
Shipping	Can be shipped without packaging, has holes for locks	Must be boxed

For other frequently asked questions regarding our systems and software, visit our [FAQ page](#)



Imagine EEG Anywhere

REQUEST CONSULTATION

[sales@lifelinesneuro.com](mailto:sales@lifelinesneuro.com)

866-889-6505

[lifelinesneuro.com](http://lifelinesneuro.com)

A **SIDIS** Company